

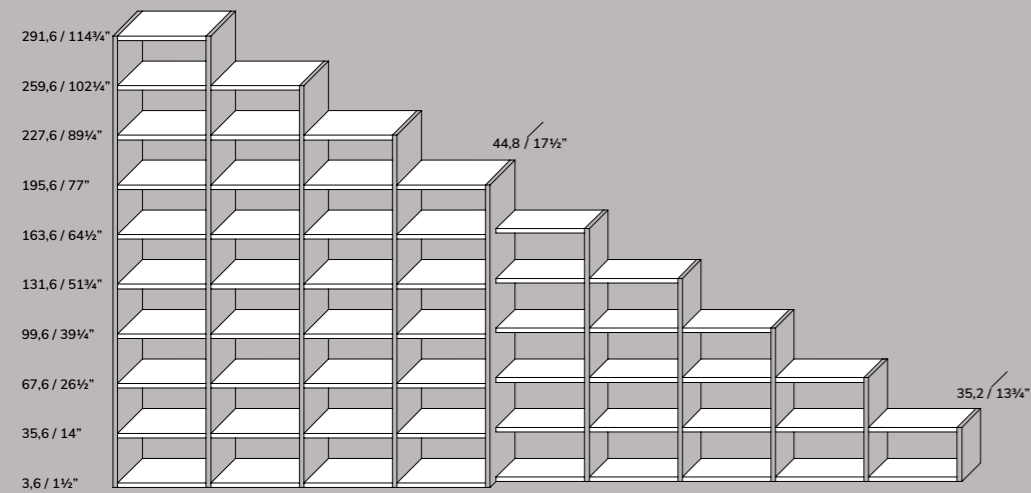


## TECHNICAL INFO

- 132 Logiko bookcase
- 132 Floor-standing bookcase
- 132 Hanging bookcase
- 133 Horizontal bookcase
- 133 Bookcase accessories
- 133 Raster elements
- 134 Mirror back
- 134 Paspartu bookcase
- 135 Logiko elements
- 135 Hanging elements
- 135 Low-hanging elements
- 136 Floor-standing elements
- 137 Contigo System
- 138 Holdy System
- 139 Sideboards
- 139 Oliver sideboard
- 139 Plexiglass sideboard
- 140 Aussie sideboard
- 140 Aussie sideboard
- 140 Aussie sideboard
  
- 142 Finishes

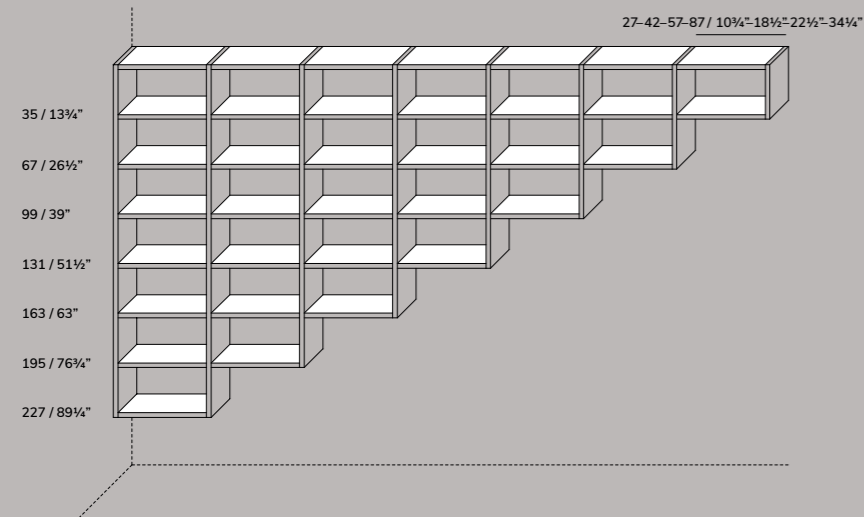
## Logiko Bookcase

### Floor-standing bookcase



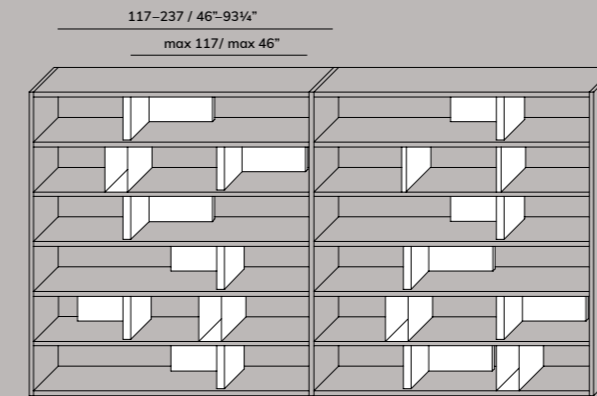
The bookcase version as a simple set of shelves on a load-bearing side panel, available in two depths of 352 and 448 mm, with 30 mm thick side panels and shelves. Enhanced by Raster systems, showcases and illuminated details. Several types of fronts: drawers, deep drawers, drop down or hinged doors in wood, lacquered, and metal or clay finish lacquered. Lacquered or glass sliding doors.

### Hanging bookcase



The wall fitted bookcase has the same technical and aesthetic characteristics as the floor-standing one, and completes the side panel system, integrating perfectly with TV panels, fitted elements and sliding doors.

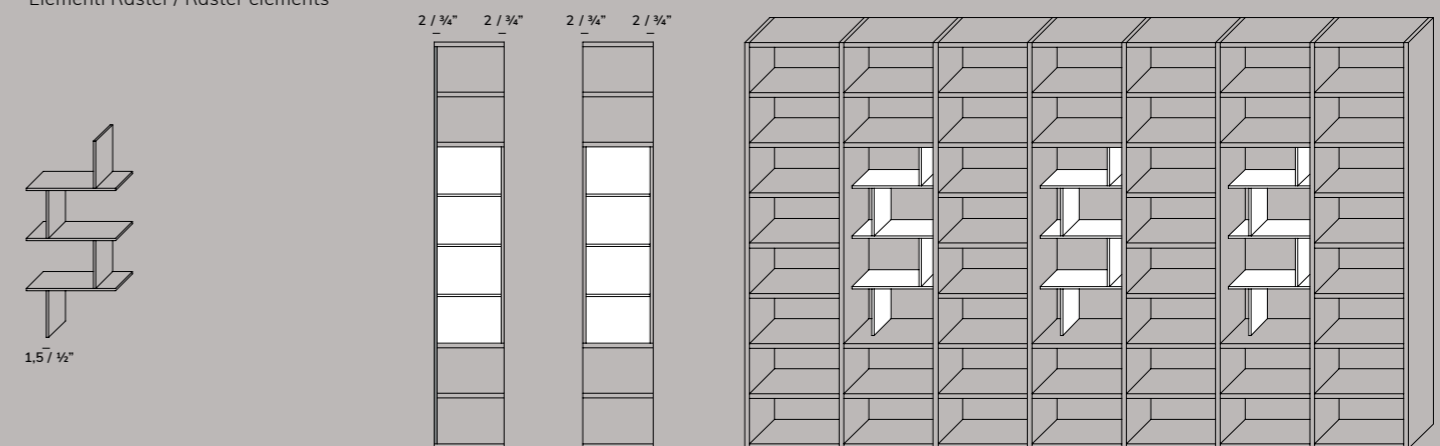
### Horizontal bookcase



A horizontal bookcase system with shelves of widths up to 2.37 metres, without the need for added side panels, supported by lightweight, L-shaped vertical elements or metal spacers, for new décor concepts.

### Logiko bookcase accessories

Elementi Raster / Raster elements

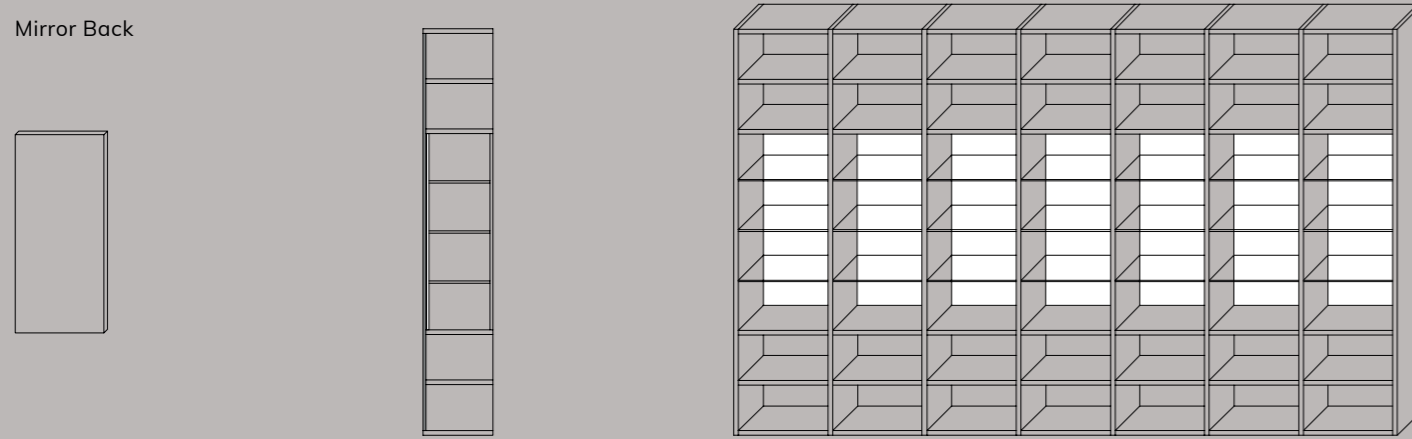


15 mm thick bookcase Rasters are used to subdivide the areas between shelves and create new dimensions. Available in the standard widths of the bookcase, they can be inserted into floor-standing or wall fitted units. Heights are the same as the bookcase modules from 610 mm to 1890 mm.

## Bookcases

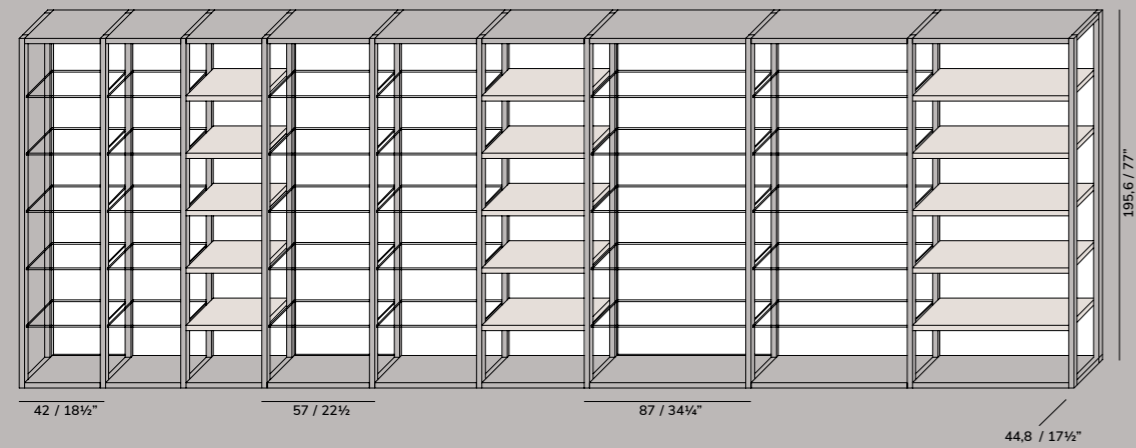
## Logiko bookcase accessories

## Mirror Back



The back panels for the bookcase with glass doors can be enhanced with mirrors fixed directly to the wooden panel. This and the use of glass shelves gives depth to the composition and highlights the contents of the showcase.

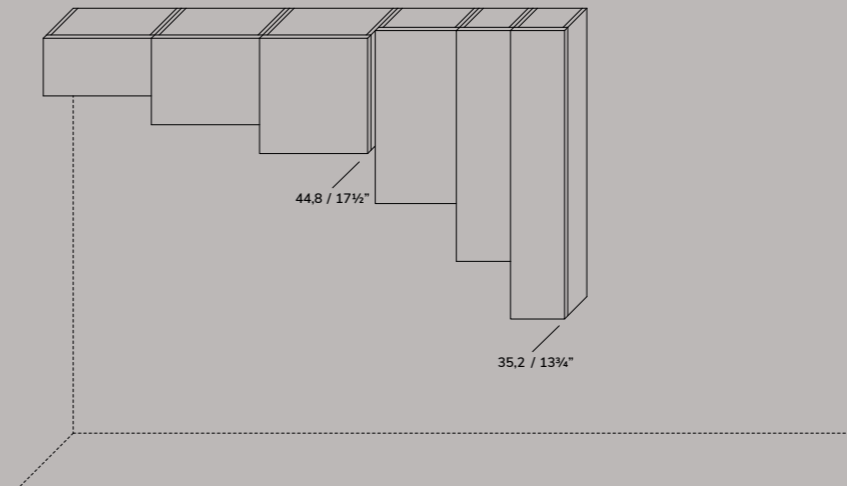
## Paspartu bookcase

Through side panel system  
bookcase

The floor-standing bookcase has an aluminium structure and through side panels enhanced by framed glass doors. The side panels, back panels and glass shelves create a transparent effect, making Paspartu ideal as a partition element or wall fitted bookcase. Transparency and internal LED lights provide new, elegant styling.

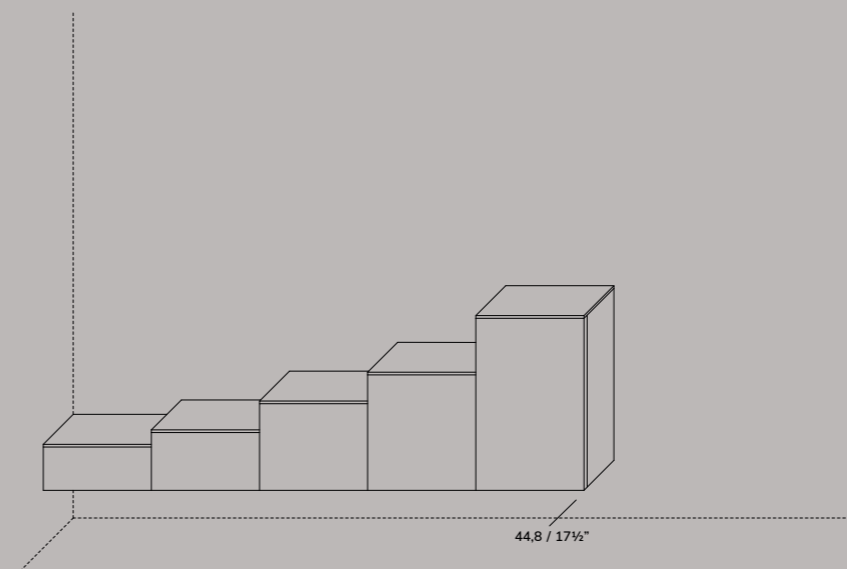
## Logiko Elements

## Hanging elements



Wall fitted storage units in six heights, 320, 480, 640, 960, 1280 and 1600 mm, finished on four sides, without the need for an added top. Available in two depths with a wide choice of fronts: wooden doors in two thicknesses or drop down doors, also in glass with Telaio frame or elegant Paspartu profile.

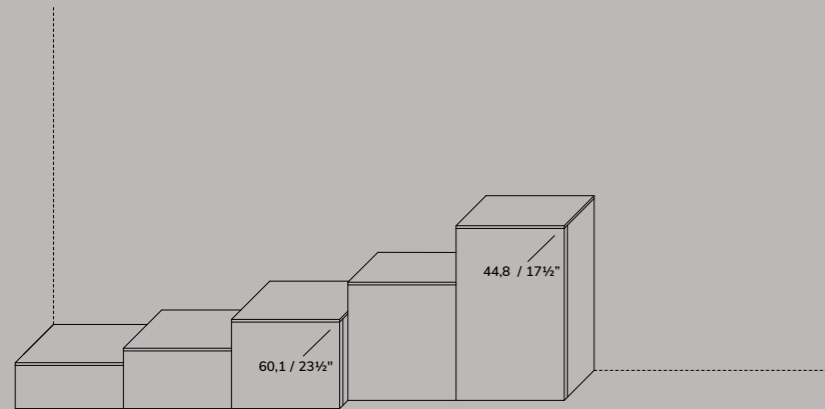
## Low-hanging elements



Suspended storage units in five heights, 240, 320, 480, 640 and 960 mm and a depth of 448, finished with a 15 or 30 mm wooden top or 6mm glass top; besides wooden doors and Telaio or Paspartu glass doors, the range includes drawers, deep or drop down drawers, which can be mixed to adapt to any composition.

## Logiko Elements

## Floor-standing elements

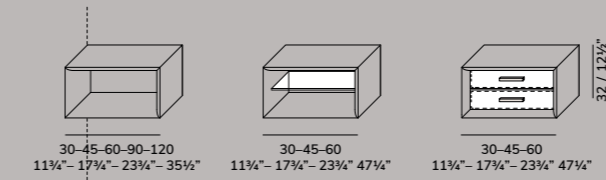


Floor-standing storage units in five heights, 240, 320, 480, 640 and 960 mm and two depths of 448 and 601 mm; can be finished with wooden or glass tops or 20 mm polished or brushed marble tops. The range includes Oliver, Aussie, Plume, Trek or Plexiglass base units, for compositions to meet all needs, also with free standing solutions.

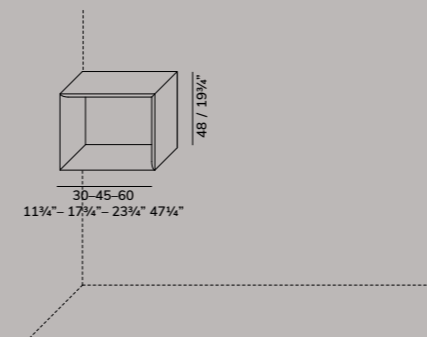
## Contigo System

## Hanging elements

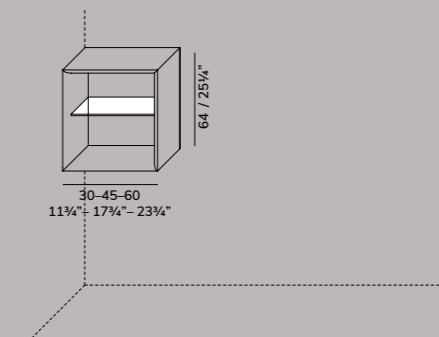
Elements D 13 3/4"–18 1/2" H 12 1/2"



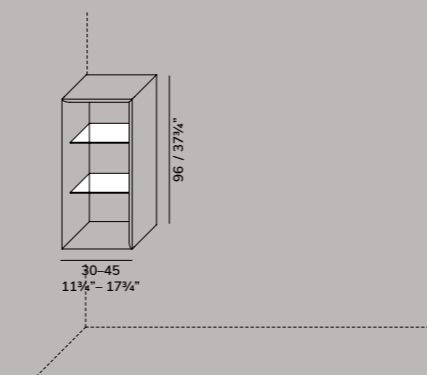
Elements D 13 3/4"–18 1/2" H 19 3/4"



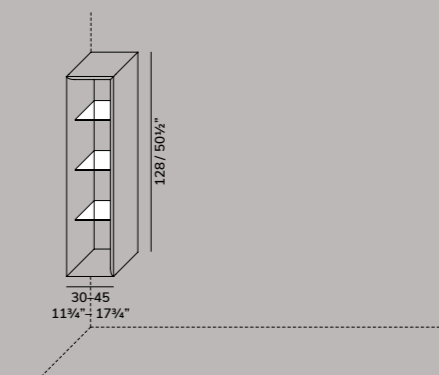
Elements D 13 3/4"–18 1/2" H 25 1/4"



Elements D 13 3/4"–18 1/2" H 37 3/4"



Elements D 13 3/4"–18 1/2" H 50 1/2"

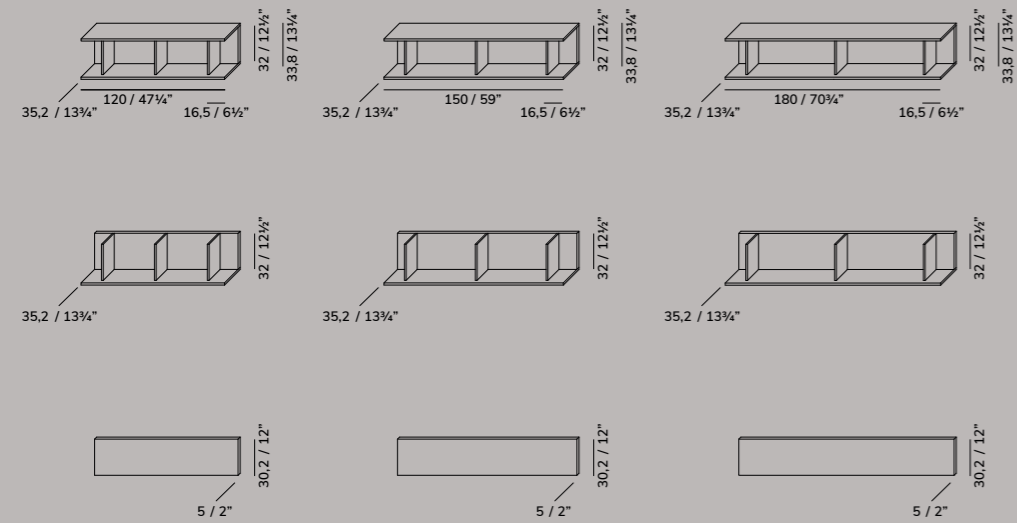


The Contigo system was created as a natural complement to living room elements. The 45° cut structure and front edges are specially worked to create a lighter effect. The system includes back-lit glass shelves or mirror back panels and can be completed with drawers with eco-leather fronts, inserted individually or in pairs.

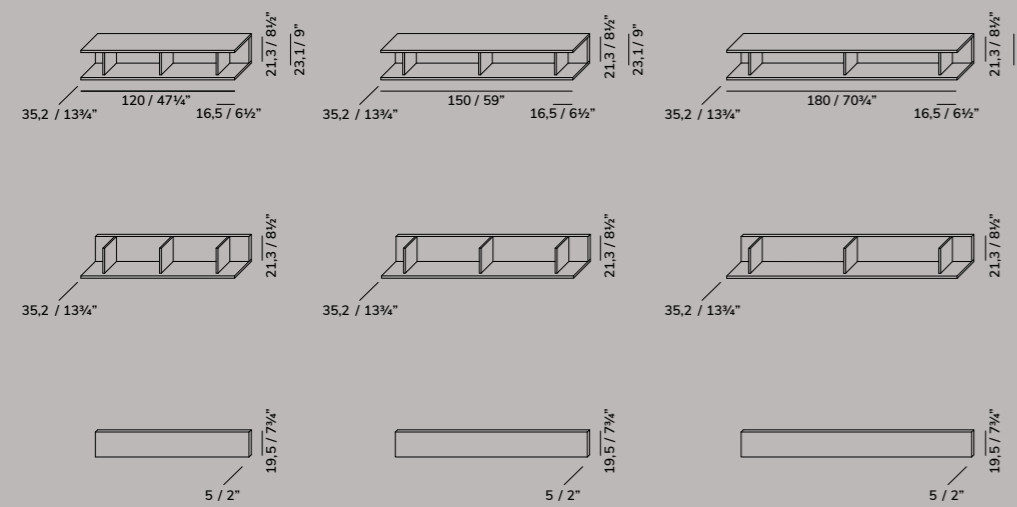
## Holdy System

### Hanging Elements

"C" and "L" elements, dimension H 12 1/2"



"C" and "L" elements, dimension H 8 1/2"



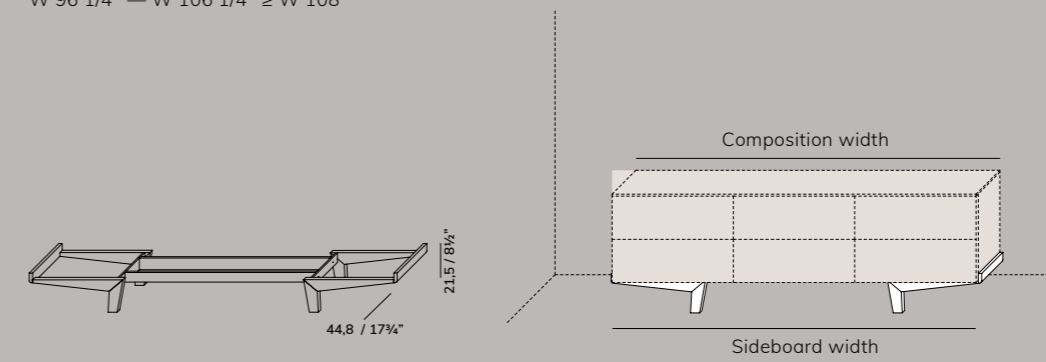
18 mm thick shelves are the project's main element. Doors slide on a track perfectly integrated into the shelves. The sliding system is designed to avoid contact between surfaces, ensuring silence and stunning good looks.

## Baseboards

### Aussie sideboard

Composition width  $\geq$  Sideboard width:

W 70 3/4"  $\geq$  W 72 3/4" — W 82 3/4"  $\geq$  W 84 1/2" W 94 1/2"  $\geq$   
W 96 1/4" — W 106 1/4"  $\geq$  W 108"

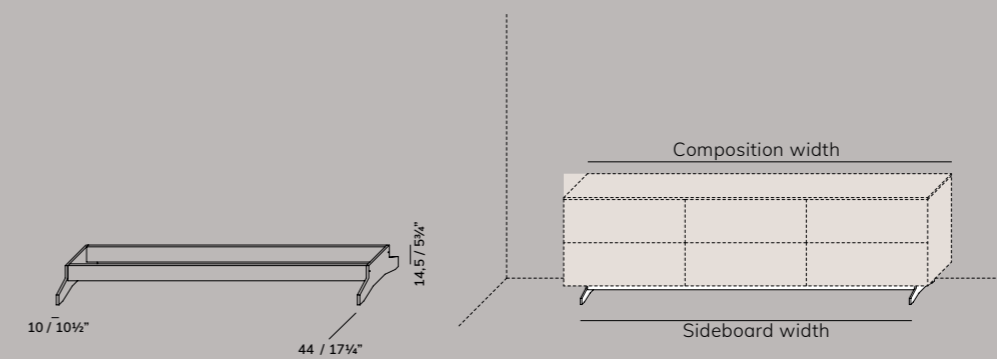


The Aussie base unit features solid wood legs that give definite character to compositions; the construction acquires force by means of the elegant Brown painted metal crosspiece, which can also house the LED illumination system.

### Oliver sideboard

Composition width  $\geq$  Sideboard width:

W 47 1/4"  $\geq$  W 35 1/2" — W 59"  $\geq$  W 47 1/4" — W 70 3/4"  $\geq$  W 59" — W 82 3/4"  $\geq$  W 70 3/4"  
W 94 1/2"  $\geq$  W 82 3/4" — W 106 1/4"  $\geq$  W 94 1/2" — W 118"  $\geq$  W 106 1/4"



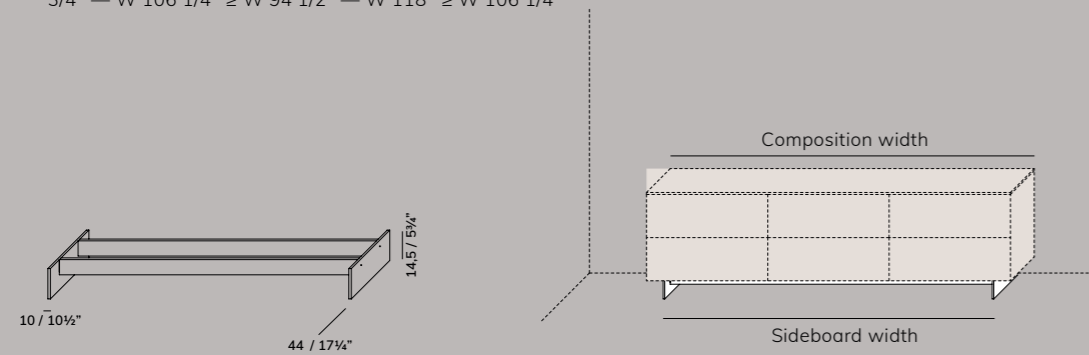
The Oliver base unit is raised from the ground by two Brown metal finish feet that match the same metal structure of the other base units, providing an elegant, airy touch. The Oliver base unit can house LED illumination, also available with a remote control.

## Sideboards

## Plexiglass sideboard

Composition width  $\geq$  Sideboard width:

W 47 1/4"  $\geq$  W 35 1/2" — W 59"  $\geq$  W 47 1/4" — W 70 3/4"  $\geq$  W 59" — W 82 3/4"  $\geq$  W 70 3/4" W 94 1/2"  $\geq$  W 82 3/4" — W 106 1/4"  $\geq$  W 94 1/2" — W 118"  $\geq$  W 106 1/4"

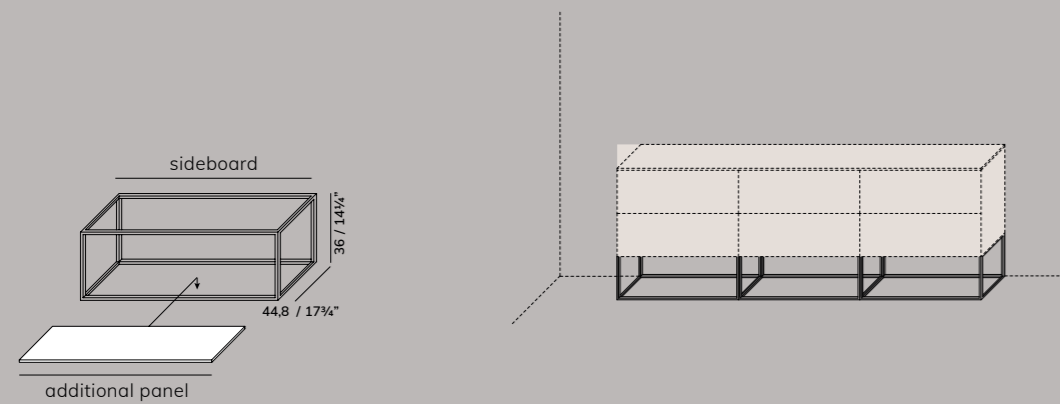


The Plexiglass base unit is designed as a free standing solution whose load-bearing structure is not evident. The feet are made of a block of extra clear plexiglass which gives a floating effect. The Plexiglass base unit is also available with LED illumination that appears to extend the distance from the ground.

## Plume sideboard

Sideboard width: W 23 3/4" — W 35 1/2" — W 47 1/4"

Additional panel width: W 23 3/4" — W 35 1/2" — W 47 1/4"



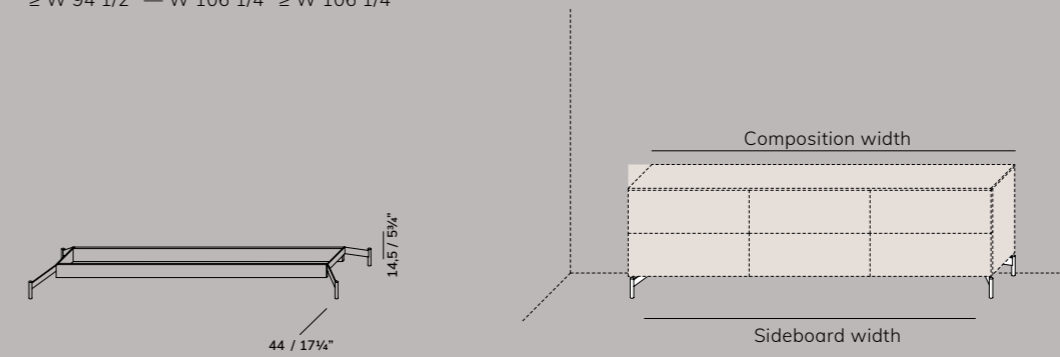
The Plume base unit with its Brown metal frame is a solution with elements raised up to 360mm from the ground. The lower space can be used to add practical lacquered or wooden shelves for objects that can be LED illuminated.

## Beds

## Trek sideboard

Composition width  $\geq$  Sideboard width:

W 47 1/4"  $\geq$  W 47 1/4" — W 59"  $\geq$  W 59" — W 70 3/4"  $\geq$  W 70 3/4" — W 82 3/4"  $\geq$  W 82 3/4" W 94 1/2"  $\geq$  W 94 1/2" — W 106 1/4"  $\geq$  W 106 1/4"

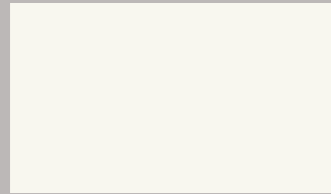


The Trek sideboard is characterized by tubular metal feet in Brown finish, positioned at the ends of the composition. The Trek sideboard unit can house LED illumination, also available with a remote control.

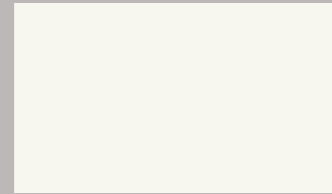
## Finishes

### Lacquers

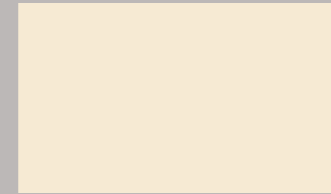
The lacquered finish is available glossy or matt: a wide range of colours is available to meet the needs of different styles, from luminous, neutral colours to stronger shades.



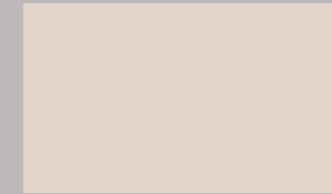
Gesso



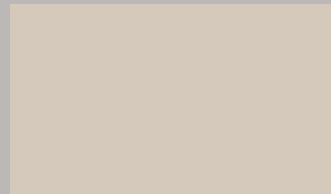
Bianco



Avorio



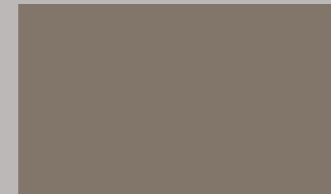
Cipria \*



Tortora



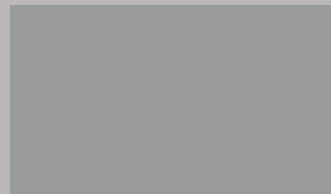
Corda



Fango \*



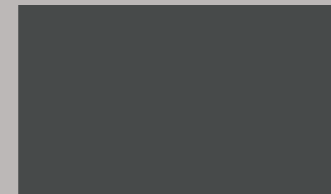
Ostrica



Cenere



Ferro \*



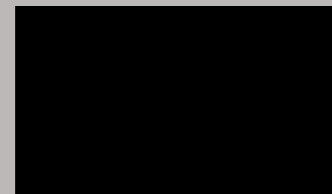
Ardesia



Visone



Terra \*

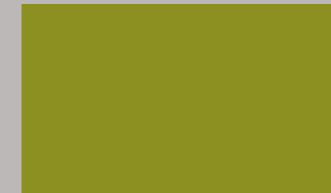


Nero

\* Matt only

Colours printed on paper may not correspond exactly to those of the actual products. They must therefore be considered purely indicative. Finishes are valid for the collection, with the exception of elements described otherwise.

### Lacquers



Lime



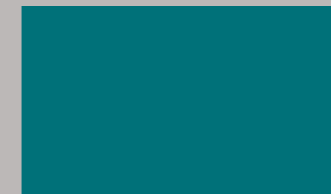
Senape



Arancio



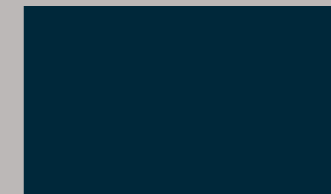
Rosso Cina



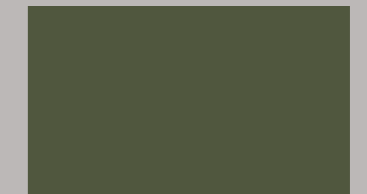
Turchese



Malva



Ottanio



Alga \*

\* Matt only

### Woods

The wood choices offered by Krieder reflects the constant attention of the company to the most up-to-date trends of furnishing and it allows the maximum aesthetic definition in a perfect continuity with our complements collection.



Rovere Therm



Noce Canaletto



Rovere Lavagna

## Finishes

### Lacquers

Lacquered metal panels are finished with 8 to 10 layers strictly hand applied by skilled artisans. The feel of the texture is homogeneous and the shaded effect makes every panel unique. The lacquered metal finish has excellent resistance to abrasions, scratches and stains.



Oro



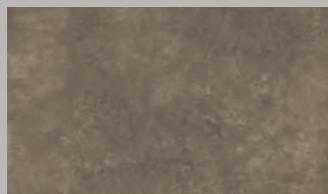
Piombo



Bronzo

### Clay

The special finish on this surface is strictly hand applied to composite panels by skilled artisans. Once the basic surface, made of natural materials such as quartz powder and pure, salt-free mineral sand with controlled granulometry, is dry, a number of layers of transparent acrylic coating are applied: this protects the surface from grease and dirt.



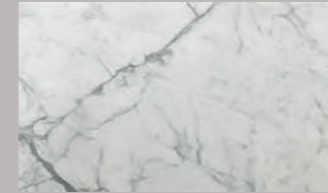
Oro



Piombo

### Marglas

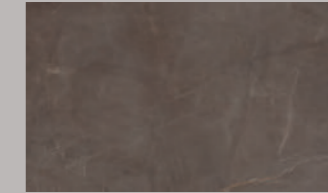
Krieder proposes the advanced technology of Marglas, one of its furniture components; this is an innovative material made with top quality substances and cutting edge technologies. Large, slim sheets exalt essential, contemporary design with an outstanding, versatile material that is particularly hard wearing.



Calacatta



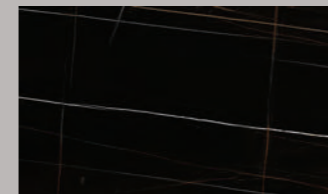
Onice Oro



Gaudi Stone



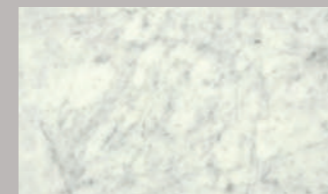
Portoro



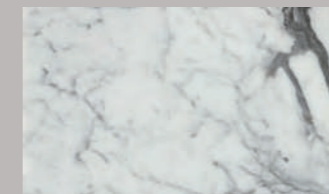
Sahara Noir

### Marble

The wood choices offered by Krieder reflects the constant attention of the company to the most up-to-date trends of furnishing and it allows the maximum aesthetic definition in a perfect continuity with our complements collection.



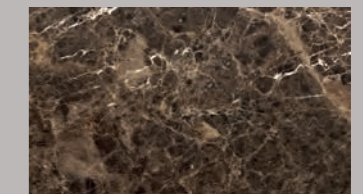
Bianco Carrara



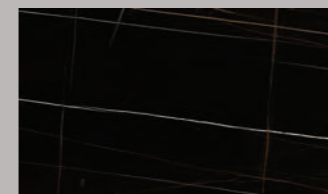
Statuarietto



Bronze Amani



Emperador dark



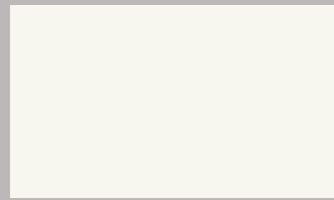
Sahara Noir



## Finishes

### Glasses

The collection of lacquered, plain or frosted glass features a palette of desaturated colours, from the lightest to the darkest shades, to ensure a wide range of surface finishes. Lacquered glass can be used for finishing tops or fitted to certain types of fronts.



Bianco \*



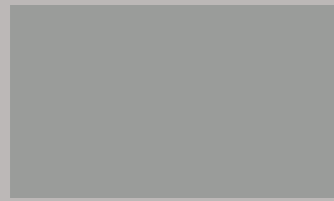
Tortora \*



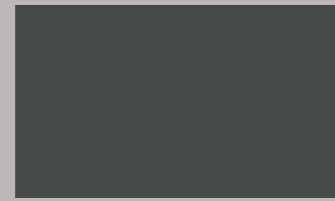
Corda \*



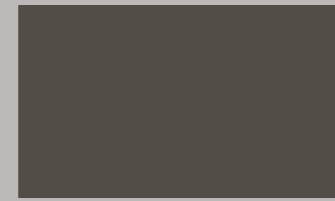
Ostrica \*



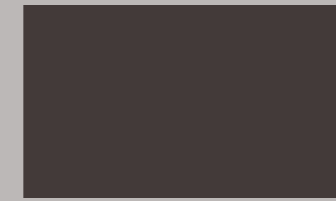
Cenere \*



Ardesia \*



Visone \*



Terra



Nero \*

\* Plain or satined only

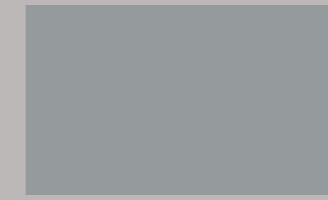
Colours printed on paper may not correspond exactly to those of the actual products. They must therefore be considered purely indicative. Finishes are valid for the collection, with the exception of elements described otherwise.

### Transparent glass, Stopsol and Fumè

Telaio or Paspardu doors can be customised with transparent, smoked or Stopsol glass, whichever is the most suitable for the composition or effect required. Glass can also be used in the form of a mirror back panel for the bookcase.



Trasparent



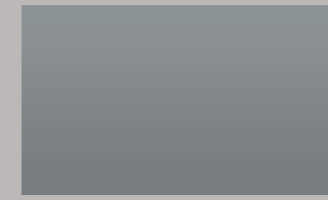
Stopsol



Fumè

### Interior drawer structure

The carcass of drawers and deep drawers features the Land finish, a textured surface in an elegant 'Corda' shade that has excellent resistance to scratches and wear. This attention to detail makes our collection exclusive and elegant.



Land